

TISPRO SX2000 Ionic Facial Steamer #390410

Technical data:

Name:	SX2000 Ionic Facial Steamer
Rated voltage (MAC 50Hz):	110
Rated spraying amount:	700ml/ hour
Temperature at the steam vent:	194°F
Power:	750W
Cup volume:	1.35 Liter
Net Weight:	8.5 Kilograms
Electric shock prevention grade:	Grade I

Warnings:

1. This machine is not suitable for the person who has corporeity weakness, slow reaction or pneumonia unless it is guided by a responsible person for safe use.
2. Children should be supervised.

TISPRO | AMERICA'S BEST
VALUE BRAND!

SX2000 Ionic Facial Steamer with Stand Model #390410



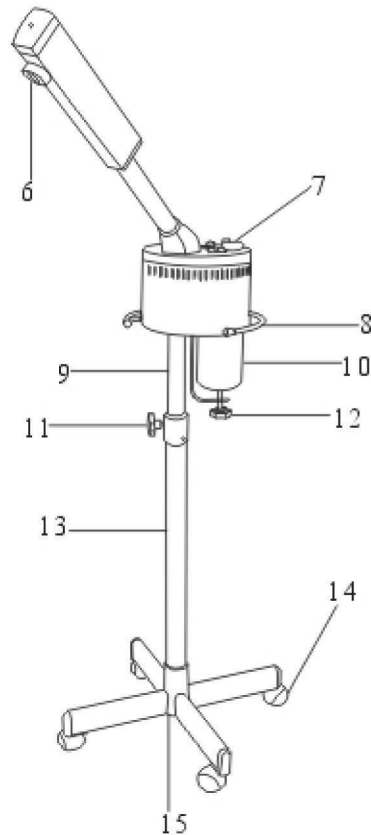
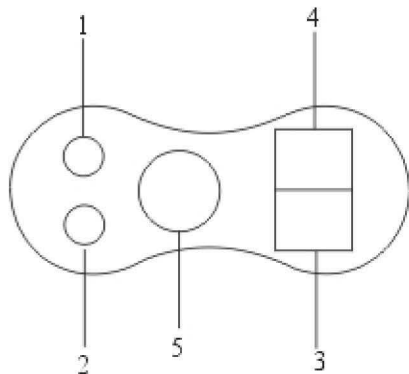
TISPRO | AMERICA'S BEST
VALUE BRAND!

Item #390410 • New Hudson, MI 48165
www.tngworldwide.com • 800.362.6245
Made in China • ©2012 TNG

Congratulations on your purchase of the TISPRO SX2000 Ionic Facial Steamer. Please read the instructions and safety tips before use. Your Ionic Facial Steamer comes with a one-year limited warranty. If for any reason you need service, please call 800-362-6245. Replacement glass jars are also available.

Operation:

- | | |
|-----------------------------|-------------------------------|
| (1) Power indicator | (10) Glass jar |
| (2) Ultraviolet indicator | (11) Vertical adjusting knob |
| (3) On/Off switch | (12) Glass jar adjusting knob |
| (4) Ultraviolet switch | (13) Outer tube |
| (5) Timer | (14) Floor stand with casters |
| (6) Spray nozzle | (15) Locking screw |
| (7) Water inlet | |
| (8) Hand rest | |
| (9) Vertical adjusting tube | |



Instructions:

- (1) Fill the water cup with distilled water to the warning line. [Note: using tap water will damage the unit and void warranty].
- (2) Connect to electricity (110V), and push down the power switch to turn on. Steam will begin to emit from the spray nozzle in 6-8 minutes. Press the ultraviolet switch and ionized steam vapor will stream out.
- (3) When the water surface falls below the heating wire, the machine will disconnect power automatically. If continuous use is expected, unplug unit. Empty the remaining water in the cup and refill.
- (4) The proper position for using steam is from the chin up and to cover the entire face. Duration of use depends on the user's skin type.

Caution:

- (1) Don't put into the glass jar (10) any chemicals or additives or it will cause water to squirt instead of vaporize.
- (2) Wait until the vapor spray is coming out of spray nozzle (6) before directing to client.
- (3) After each use, empty the remaining water in the glass jar and clean unit. If there is any calcium oxide on the heating wire, remove it with soft metal brush or by soaking overnight in vinegar solution.
- (4) Don't use detergent when cleaning the glass jar.
- (5) Only use with rated voltage and frequency.
- (6) Do not disconnect the unit with wet hands.
- (7) Do not move the unit using the power cord.
- (8) Stop the use of the unit if damaged.
- (9) Keep out of the reach of children.
- (10) Do not use unit near bathtubs, showers, basins or other vessels containing water.
- (11) Always empty the remaining water after each use.
- (12) Wait until the unit temperature becomes room temperature before changing water.